



# Tier Pendant

The linear Tier Pendant is defined by two tiers, an upper and a lower, both emit light. Through this formation, a subtle gradient of light washes down the face of the central section.

## Dimensions

Standard lengths available:

1600mm

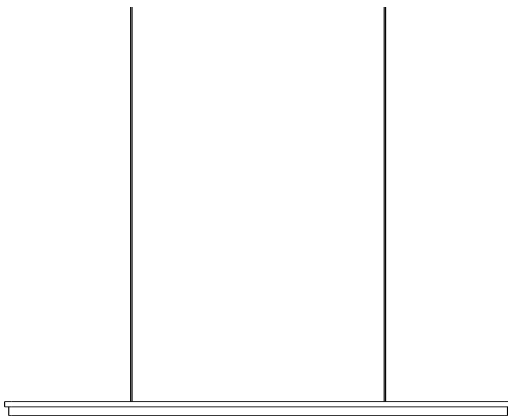
1800mm

2000mm

2200mm

2400mm

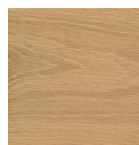
Dimensions customisable upon request



## Materials



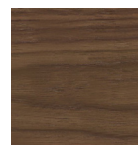
American  
Ash



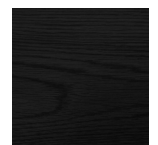
American  
Oak



Tasmanian  
Blackwood



American  
Walnut



Black  
American Oak



Brushed  
Brass



Antique  
Brass

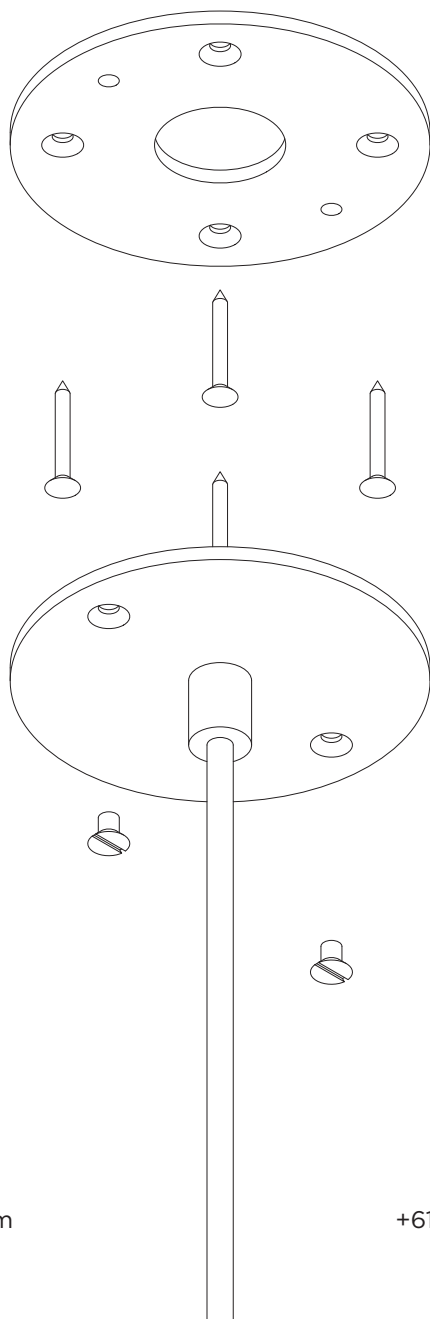


Blackened  
Brass

Other timber and metal options available upon request

## Specifications

Mounting	Ceiling Canopy
Environment	Indoor Use
Weight	4 - 6kg
Light Source	Warm White LED (3000k), other options also available
Voltage	24V
Power	60W / 100W / 150W
LED Driver	Supplied (100V / 240V to 24V)
LED Lumens	1400LM/M
Dimmable	Yes



## Installation

Installation must be performed by a certified electrician.

1. Make sure the mains power is switched off before installation
2. The LED driver is to be installed in the ceiling or wall cavity.
3. The top plates are to be secured to ceiling with screws (not included), it is to be fixed to a solid batten or block in ceiling.
4. Connect wires to the LED Driver using a terminal block, both rods require power.
5. Cover plates and pendant light is to be secured to top plate with the bolts provided.